

FEATURED MODEL

513686 10" bowl depth

FEATURES

- 18 gauge, 304 series stainless steel
- 18/10 chrome/nickel content
- Handcrafted from a single panel of stainless steel
- 10mm radius corners
- Elegant and functional drain grooves
- Long-lasting, easy-to-clean, satin polished finish
- Sound-deadening insulation
- Rear drain placement

CODE/STANDARDS COMPLIANCE

ASME 112.19.3-00
 IAPMO/UPC listed

OPTIONAL ACCESSORY

Sink Grids: 221018
 Colander: 440492,218772

WARRANTY

Blanco's BLANCOPRECISION™ 10 sinks feature a **LIMITED LIFETIME WARRANTY** to be free of all manufacturing defects under normal use. See our complete warranty for details.

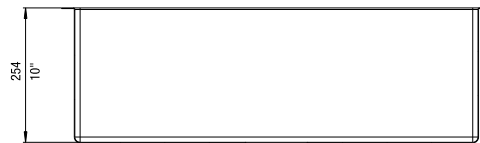
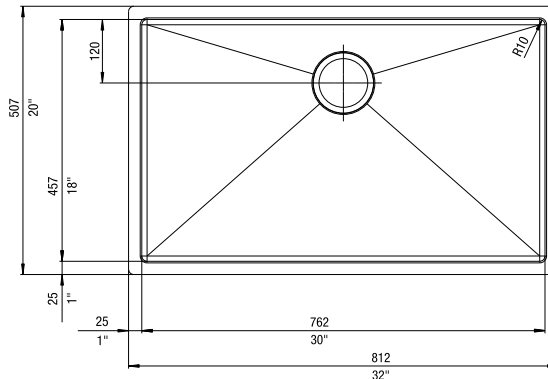
While Blanco America endeavors to provide accurate information, all dimensions are nominal, cannot be guaranteed, and are subject to change or cancellation. Blanco America assumes no responsibility for use of superseded or voided specifications.



NOMINAL DIMENSIONS

MODEL	OVERALL	BOWL DEPTH	DRAIN DIAMETER
513686	32 x 20	10	3-1/2

DXF cutout templates available on our web site or this specification CD.



JOB INFORMATION

Job Name: _____
 Contact: _____
 Date Specified: _____
 Specifier: _____
 Contractor: _____