

FEATURED MODEL

513-412 Anthracite, 9-1/2" bowl depth

ADDITIONAL MODELS

513-410 Biscuit, 9-1/2" bowl depth

513-411 White, 9-1/2" bowl depth

513-413 Metallic Gray, 9-1/2" bowl depth

513-414 Café Brown, 9-1/2" bowl depth

FEATURES

- 80% rock hard granite
- Color all the way through
- Highly resistant to scratching, staining and all household acids and alkali solutions
- Non-porous, easy-to-clean
- Heat resistant to 536° F
- Extremely hygienic, does not absorb odors or bacteria
- New design allows for easy installation in standard 25" countertop

CODE/STANDARDS COMPLIANCE

ANSI Z124.6-97
IAPMO/UPC listed

OPTIONAL ACCESSORIES

Sink Grid: 221-206
Cutting Board: 218-620
Colanders: 513-730, 215-651

WARRANTY

Blanco America's SILGRANIT® Series sinks feature a LIMITED LIFETIME WARRANTY to be free of all manufacturing defects under normal use. See our complete warranty for details.

While Blanco America endeavors to provide accurate information, all dimensions are nominal, cannot be guaranteed, and are subject to change or cancellation. Blanco America assumes no responsibility for use of superseded or voided specifications.

PRODUCT SPECIFICATION

Undermount sink to be single bowl design, 32" in length and 18-3/4" in front-to-back depth. Sink to be made from Silgranit® hard composite material. Sink to feature rear drain placement and straight bowl sides with 1-1/2" corner radius. Sink to be Blanco (Check one)

- Model 513-410 Model 513-411
 Model 513-412 Model 513-413
 Model 513-414

with single bowl depth of 9-1/2".

- White 513-411 Biscuit 513-410
 Anthracite 513-412 Metallic Gray 513-413
 Café Brown 513-414

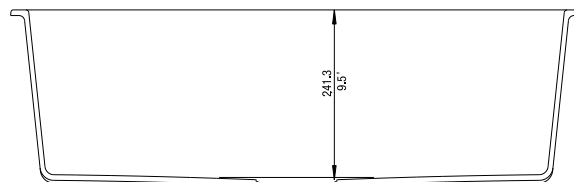
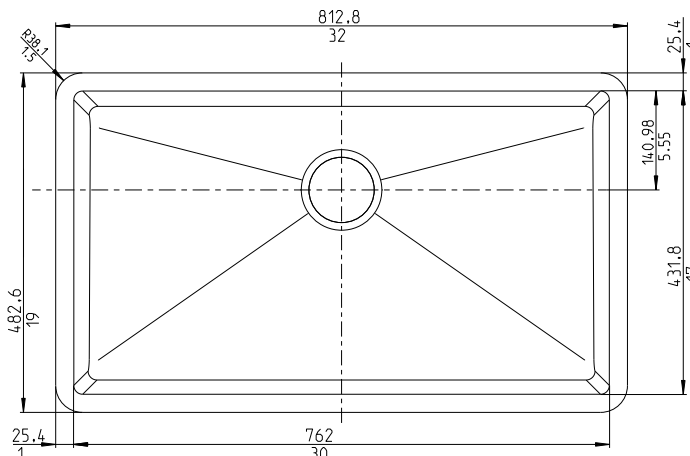


MODEL 513-412 Shown

NOMINAL DIMENSIONS

OVERALL	CUTOUT SIZE	BOWL DEPTH	DRAIN DIAMETER
32 x 18-3/4	Template provided with approximate 1/8" reveal	9-1/2	3-1/2

DXF cutout templates available on our web site.



JOB INFORMATION

Job Name: _____

Contact: _____

Date Specified: _____

Specifier: _____

Contractor: _____