

FEATURED MODEL

511-711 White, 10" bowl depth

ADDITIONAL MODELS

- 511-710 Biscuit, 10" bowl depth
- 511-712 Anthracite, 10" bowl depth
- 511-713 Metallic Gray, 10" bowl depth
- 511-714 Café Brown, 10" bowl depth

FEATURES

- True undermount installation
- 80% rock hard granite
- Color all the way through
- Highly resistant to scratching, staining and all household acids and alkali solutions
- Non-porous, easy-to-clean
- Heat resistant to 536° F
- Extremely hygienic, does not absorb odors or bacteria

CODE/STANDARDS COMPLIANCE

ANSI Z124.6-97
IAPMO/UPC listed

OPTIONAL ACCESSORIES

Sink Grid: 221-000 (Formerly 511-932)
Colander: 215-651

WARRANTY

Blanco America's SILGRANIT® Series sinks feature a LIMITED LIFETIME WARRANTY to be free of all manufacturing defects under normal use. See our complete warranty for details.

While Blanco America endeavors to provide accurate information, all dimensions are nominal, cannot be guaranteed, and are subject to change or cancellation. Blanco America assumes no responsibility for use of superseded or voided specifications.

PRODUCT SPECIFICATION

True Undermount sink to be single bowl design, 24" in length and 20-13/16" in front-to-back depth. Sink to be made from Silgranit® hard composite material. Sink to feature rear drain placement and straight bowl sides with 5/8" cutout corner radius. Sink to be Blanco (Check one)

- Model 511-710
- Model 511-711
- Model 511-712
- Model 511-713
- Model 511-714

with bowl depth of 10".

- Biscuit 511-710
- White 511-711
- Anthracite 511-712
- Metallic Gray 511-713
- Café Brown 511-714

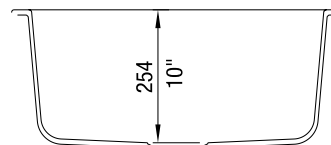
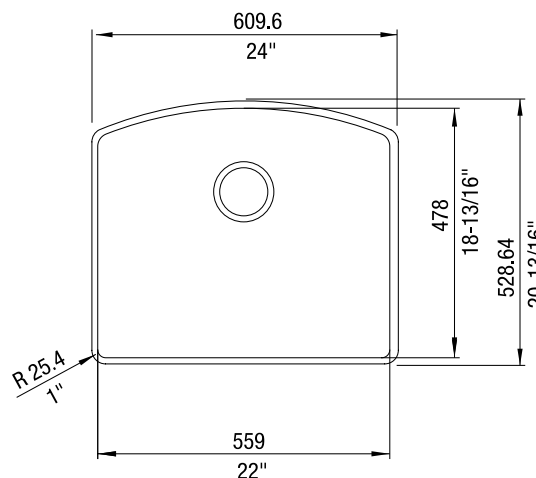


MODEL 511-711 Shown

NOMINAL DIMENSIONS

OVERALL	CUTOUT SIZE	BOWL DEPTH	DRAIN DIAMETER
24 x 20-13/16	Template provided with approximate 1/8" reveal	10	3-1/2

DXF cutout templates available on our web site.



JOB INFORMATION

Job Name: _____

Contact: _____

Date Specified: _____

Specifier: _____

Contractor: _____

BLANCO AMERICA
800.451.5782
www.blancoamerica.com