

FEATURED MODEL

511-708 Metallic Gray, 9-1/2" & 8" bowl depths

ADDITIONAL MODELS

511-705 Biscuit, 9-1/2" & 8" bowl depths

511-706 White, 9-1/2" & 8" bowl depths

511-707 Anthracite, 9-1/2" & 8" bowl depths

511-709 Café Brown, 9-1/2" & 8" bowl depths

FEATURES

- True undermount installation
- 80% rock hard granite
- Color all the way through
- Highly resistant to scratching, staining and all household acids and alkali solutions
- Non-porous, easy-to-clean
- Heat resistant to 536° F
- Extremely hygienic, does not absorb odors or bacteria

CODE/STANDARDS COMPLIANCE

ANSI Z124.6-97

IAPMO/UPC listed

OPTIONAL ACCESSORIES

Sink Grids: 220-998 (Formerly 511-930)

220-999 (Formerly 511-931)

Cutting Board: 511-134

Colander: 215-651

WARRANTY

Blanco America's SILGRANIT® Series sinks feature a LIMITED LIFETIME WARRANTY to be free of all manufacturing defects under normal use. See our complete warranty for details.

While Blanco America endeavors to provide accurate information, all dimensions are nominal, cannot be guaranteed, and are subject to change or cancellation. Blanco America assumes no responsibility for use of superseded or voided specifications.

PRODUCT SPECIFICATION

Undermount sink to be 1-3/4 bowl design, 32" in length and 20-27/32" in front-to-back depth. Sink to be made from Silgranit® hard composite material. Sink to feature rear drain placement and straight bowl sides with 5/8" cutout corner radius. Sink to be Blanco (Check one)

- Model 511-705 Model 511-706
 Model 511-707 Model 511-708
 Model 511-709

with large bowl depth of 9-1/2" and small bowl depth of 8".

- Biscuit 511-705
 White 511-706
 Anthracite 511-707
 Metallic Gray 511-708
 Café Brown 511-709

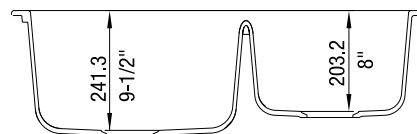
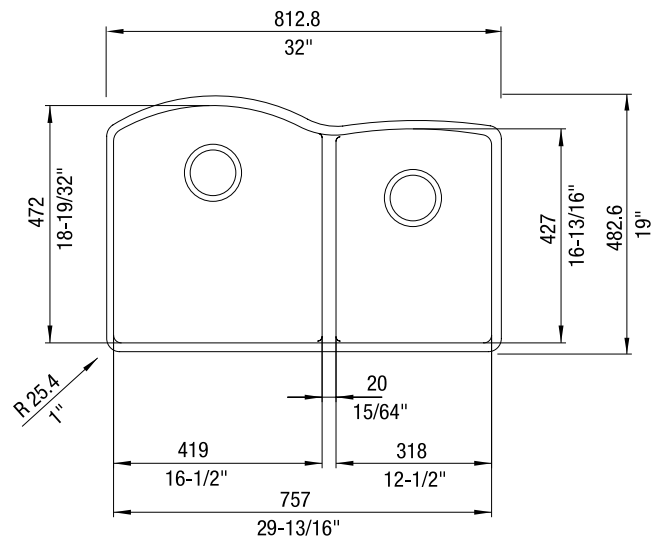


MODEL 511-708 Shown

NOMINAL DIMENSIONS

OVERALL	CUTOUT SIZE	BOWL DEPTH LEFT	BOWL DEPTH RIGHT	DRAIN DIAMETER
32 x 20-27/32	Template provided with approximate 1/8" reveal	9-1/2	8	3-1/2

DXF cutout templates available on our web site.



JOB INFORMATION

Job Name: _____

Contact: _____

Date Specified: _____

Specifier: _____

Contractor: _____